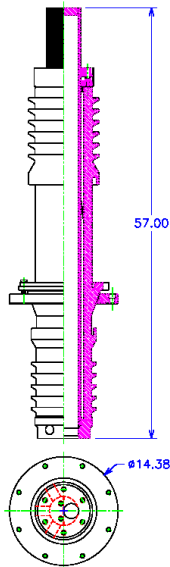


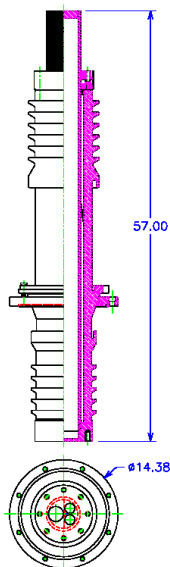


Repair and Testing of Westinghouse, Allis-Chalmers, G&W Bushings

G&W D7578-7D 23kV HGB
ALLIS-CHALMERS 85-502-199



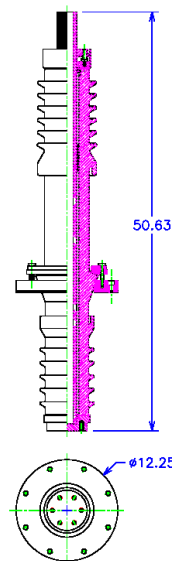
G&W D7578-7E 23kV HGB
ALLIS-CHALMERS 85-504-145



CAPABILITIES

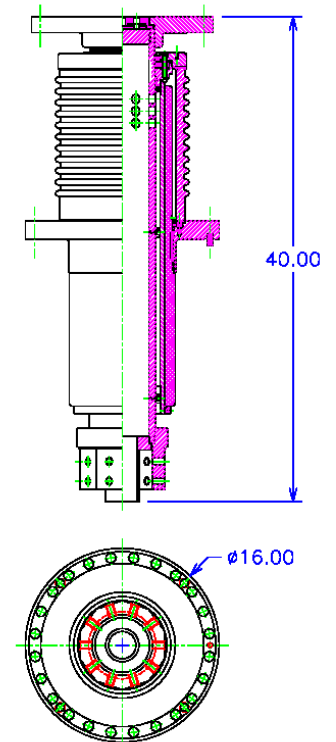
Piedmont Bushings and Insulators has the ability to fully test, repair and re-certify your generator bushings. All bushings are inspected upon receipt then subjected to specified electrical and pressure testing. The bushings are then disassembled and all components are visually inspected. All the gaskets, o-rings, springs, and any other potential wear parts are replaced and the bushing reassembled. The bushing is then re-certified to the electrical and pressure testing specification of the original manufacturer.

G&W D7578-5 23kV HGB
ALLIS-CHALMERS 85-405-631



WESTINGHOUSE BUSHINGS STYLE NUMBERS

- 7333D34
- 382D907G01
- 5621D28G01
- 784I371G01
- 784J371G01
- 7344D09G01



For over 50 years Piedmont Bushings and Insulators, LLC has been designing, manufacturing and repairing bushings, insulators and other dielectric products. Located in Woodruff, South Carolina the company's history ties back to ITE Circuit Breaker and ABB. We offer a full line of Dielectric products including:

- Line Sensors
- Current Transformers
- Apparatus Bushings
- Generator Bushings

Please contact the factory for technical assistance and all your dielectric product needs.



251 Harris Bridge Road
PO Box 849
Woodruff, SC 29388

Phone: (864) 476-6360
Fax: (864) 476-6376
www.PB-I.com



Generator Bushing
Repair and Testing

**Your Generator
Bushing
Refurbishment
Specialist**



(864) 476-6360